



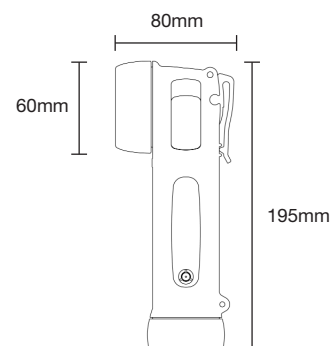
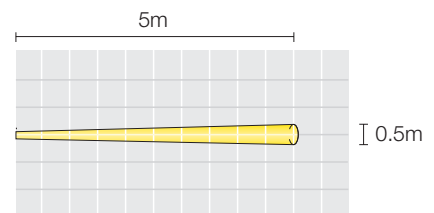
WOLF ATEX LED TORCH



- ATEX Approved for explosive gas and dust atmospheres
- LED light source 'fitted for life', no bulb replacement required
- High output focussed spot beam with wide angle fringe of light
- Over 7.5 hours high power output from 4 x AA primary cells
- Compact and lightweight torch design
- Low battery indicator fitted on TR-40+ model
- Zone 0 version available
- All models with Group I Mining Approval



Wolf ATEX LED Torch
1.4W LED beam (approx 6°)
Peak luminous intensity at 5m, 230lux



IECEX

The high-tech Wolf ATEX LED Torch range uses the latest LED technology to give excellent performance and reliability in the most extreme conditions.

The Wolf ATEX LED Torch is CE marked to the ATEX Directive and certified to the IECEx Scheme, with versions allowing use in M1 and M2 mining applications as well as zones 0, 1 and 2 potentially explosive gas, vapour, mist and dust atmospheres, with T4 or T3 temperature class dependent on cell type used.

The compact and lightweight right-angle torch design has a high-grip ergonomic form with easy single handed switching, even with gloved hands. The high strength torch body has proven impact resistance even

at sub zero temperatures. The rubber armoured lens ring and end cap give enhanced grip and shock protection. The lens is resistant to scratch and chemical attack. The torch is sealed dust tight and protected from water immersion, with a certified IP67 enclosure. The right-angle body arrangement incorporates a replaceable high strength thermoplastic belt clip for hands free use.

The TR-40, TR-40+ and TR-45 give outstanding light output from unique optics that deliver a piercing spot beam, combined with a low level flood of fringe light, giving a peak of 50 lumens light output from a high power Luxeon LED. The light source has a 25,000 hour life and should

be regarded as 'fitted for life'. Powered by four AA/LR6 primary alkaline cells fitted in a cassette, Wolf ATEX LED Torches provide over 7.5 hours at full brightness, and thereafter at reducing brightness up to 32 hours of light output. The TR-40+ model is fitted with a low battery power indicator, emitting a red flashing light through the side of the torch body while battery power is high, but switching to continuous red to show low battery power when only a short period of full brightness light output remains.

Very low maintenance and quick component replacement are key benefits of this product range. All models are supplied with wrist straps and clip rings.

Wolf ATEX LED Torch				
Technical Specification				
Product reference		TR-40	TR-40+	TR-45
Description		High Power LED right angle safety torch		
		Yellow Body - Zone 1	Yellow Body - Zone 1 + low battery indicator	Black Body - Zone 0
Code	Industrial	Ⓔ II 2 GD Ex ib IIC T4/T3 tD A21 IP67 T85°C		Ⓔ II 1 G Ex ia IIC T4/T3 IP67
	Mining	Ⓔ I M2 Ex ib I IP67		Ⓔ I M1 Ex ia I IP67
Apparatus standards		EN60079-0, EN50020, EN61241-0, EN61241-1 IEC60079-0, IEC60079-11, IEC61241-0, IEC61241-1		
Type of protection		'ia/ib' Intrinsic Safety, 'tD' Enclosure Protection		
Area of classification (Gases)		Zones 1 & 2 gas groups IIA, IIB, IIC		Zones 0, 1 & 2 gas groups IIA, IIB, IIC
Temp. classification (Gases)		T4/T3		
Area of classification (Dust)		Zones 21 and 22		-
Max surface temp. (Dusts)		85°C		-
Ambient Temperature		-20°C to +40°C		
Certificate		Baseefa07ATEX0091 IECEX BAS 06.0089		
Enclosure Material		High impact thermoplastic plastic, chemical resistant, electrostatic non-hazardous		
Lens		Shatterproof polycarbonate with scratch and chemical resisting hardcoat		Toughened glass
Beam type		High output beam with focussed spot with wide angle fringe of light		
Light source:	Type	High power LED		
	Power	1.4 Watts		
	Output	50 lm peak		
	Bulb Life	25,000 hrs plus (fitted for life)		
Power Supply:	Pt. no.	TP-295 (4 x LR6 Cells)		
	Cell Type	LR6 primary cells to IEC60086, Alkaline AA cells		
	Volts	4 x 1.5V		
Low Battery Indicator		-	Yes	-
Light duration		Up to 7.5 hrs to low battery warning, up to 32 hrs total illumination		
Ingress protection		IP67 to EN60529: 1992		
Weight (incl. cells)		0.350 Kg		

Note: Note: all information has been gathered under laboratory conditions, the user must regard the values given as approximate.

WOLF SAFETY LAMP COMPANY

Saxon Road Works, Sheffield S8 0YA, England

Tel: +44 114 255 1051 Fax: +44 114 255 7988

E-mail: info@wolf-safety.co.uk Website: www.wolf-safety.co.uk

SL016 issue 01

MMD/EVO/6.07/4K

